

388-386RH SUMMIT®



Round Front, SmartHeight™, Vitreous China, Two-Piece Toilet

FEATURES

- High performance MagnaFlush™ flushing technology
- 1.6 gpf / 6.0 lpf low water consumption
- Round front, SmartHeight™ bowl
- SmartFasten™ 3-bolt tank-to-bowl connection
- 3" Rigid Flapper flush valve – requires less force to flush, is more consistent and uses a simple universal repair part/seal
- Fluidmaster® pilot operated anti-siphon fill valve
- 12" rough-in
- Model 57RH chrome-plated, metal trip lever
- 2" glazed trapway
- The Mansfield® limited lifetime warranty on china;
Five-year limited warranty on tank trim
- Available in White



MODEL 388-386RH

Toilet seat not included





ROUND



SMARTHEIGHT ADA

COMPONENTS

| MODEL # | DESCRIPTION | CODES/STANDARDS |
|------------------|--|---|
| 388-386RH | Round front, SmartHeight™, two-piece toilet. Less toilet seat and supply. |   |
| 388 | Round front, SmartHeight™ toilet bowl only. Less supply. Specify color. | |
| 386RH | Tank and cover only with right hand, chrome-plated, metal trip lever. Less supply. | |

| TANK TRIM & REPLACEMENT PARTS | |
|-------------------------------|--|
| 57RH | Trip lever - chrome-plated, metal trip lever, right hand |
| 2037-1212 | Summit® 1.6 rigid flapper flush valve |
| 400A | Fluidmaster® anti-siphon pilot fill valve |
| 2206 | Anti-siphon pilot fill valve (compatible replacement) |
| 630-0030 | Replacement flush valve seal |
| 386-LID | Tank lid |



When properly installed, this product meets the requirements for the Americans with Disabilities Act of 1990 (ADA). Refer to local plumbing codes, as they may vary by location and application.

388-386RH SUMMIT®



Round Front, SmartHeight™, Vitreous China, Two-Piece Toilet

SPECIFICATIONS

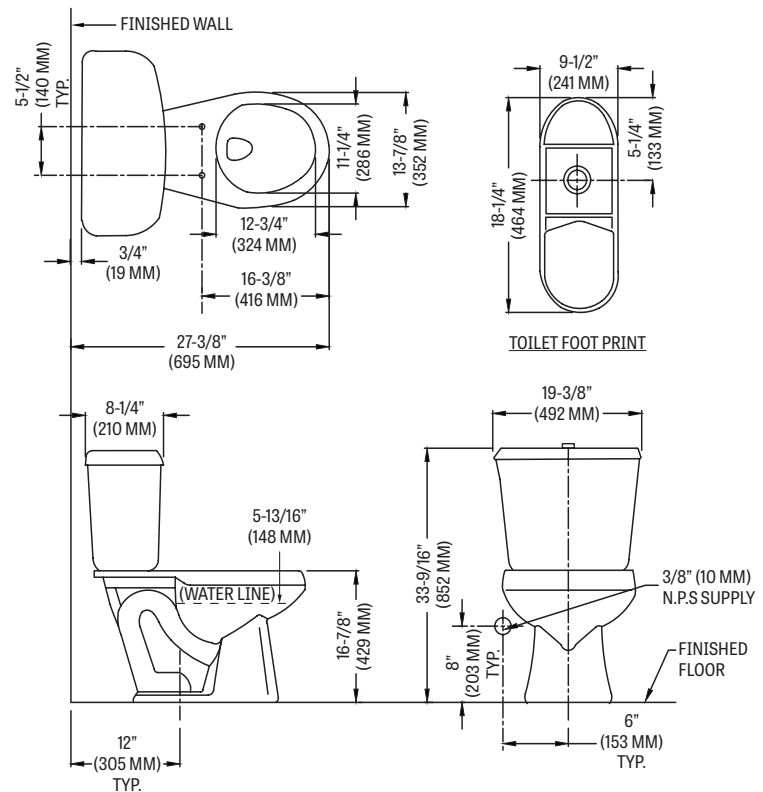
| MODEL # | DESCRIPTION | CODES/STANDARDS |
|-----------|--|---|
| 388-386RH | Round front, SmartHeight™ (1.6 gpf/6.0 lpf) two-piece toilet |   |

| | |
|----------------------|---------------------------------|
| MATERIAL | Vitreous China |
| WATER PRESSURE RANGE | 20 to 80 PSI |
| FLUSH SYSTEM | MagnaFlush™ flushing technology |
| WATER USAGE | 1.6 gpf / 6.0 lpf |
| WATER SURFACE AREA | 8' X 9' |
| ROUGH-IN | 12' |
| MAP RATING | 1,000 grams |

| | |
|-----------------|--|
| TRAP DIAMETER | 2' |
| TRAP SEAL | 2-1/4' |
| SHIPPING WEIGHT | Model 388 - 52 lbs. (23.5 kg) Model 386RH - 36 lbs. (16.3 kg) |
| WARRANTY | Vitreous China - Limited Lifetime Tank Trim - Limited Five Year |

| TANK OPTIONS | TECHNICAL INFORMATION |
|--------------|---|
| | Note: these dimensions are nominal and subject to change without notice. |

| | |
|-------|---|
| 386 | Variation of model 386RH, with right hand trip lever. |
| 386LT | Variation of model 386, with tank liner. |



Fixture performance and specifications meet or exceed ASME A112.19.2/CSA B45.1 standards, and other state and local codes.