

# 384-3386 SUMMIT® DUAL FLUSH



Elongated Front, SmartHeight™, Vitreous China, Two-Piece Toilet

## FEATURES

- Dual flush technology with 3" flush tower
- 1.1 Gpf / 1.6 Gpf (4.0 Lpf / 6.0 Lpf) high efficiency water consumption
- Elongated front, SmartHeight™ bowl
- SmartFasten™ 3-bolt tank-to-bowl connection
- Pilot operated anti-siphon fill valve
- 12" rough-in
- Model 33 chrome-plated, push button actuator
- 2" glazed trapway
- The Mansfield® limited lifetime warranty
- Available in White, Biscuit and Bone



**MODEL 384-3386**

Toilet seat not included

Available as CTK



ELONGATED



SMARTHEIGHT ADA



CTK

## COMPONENTS




MODEL #	DESCRIPTION	CODES/STANDARDS
<b>384-3386</b>	Elongated front, SmartHeight™, two-piece dual flush toilet. Less toilet seat and supply. Specify color.	
<b>384</b>	Elongated front, SmartHeight™ toilet bowl only. Less supply. Specify color.	
<b>3386</b>	Tank and cover only, with chrome-plated, push button actuator. Less supply. Specify color.	
TANK TRIM & REPLACEMENT PARTS		
<b>33</b>	Chrome-plated push button actuator	
<b>2206</b>	Pilot operated fill valve	
<b>308</b>	Dual flush tower	
<b>3386-LID</b>	Tank lid	

# 384-3386 SUMMIT® DUAL FLUSH



Elongated Front, SmartHeight™, Vitreous China, Two-Piece Toilet

## SPECIFICATIONS

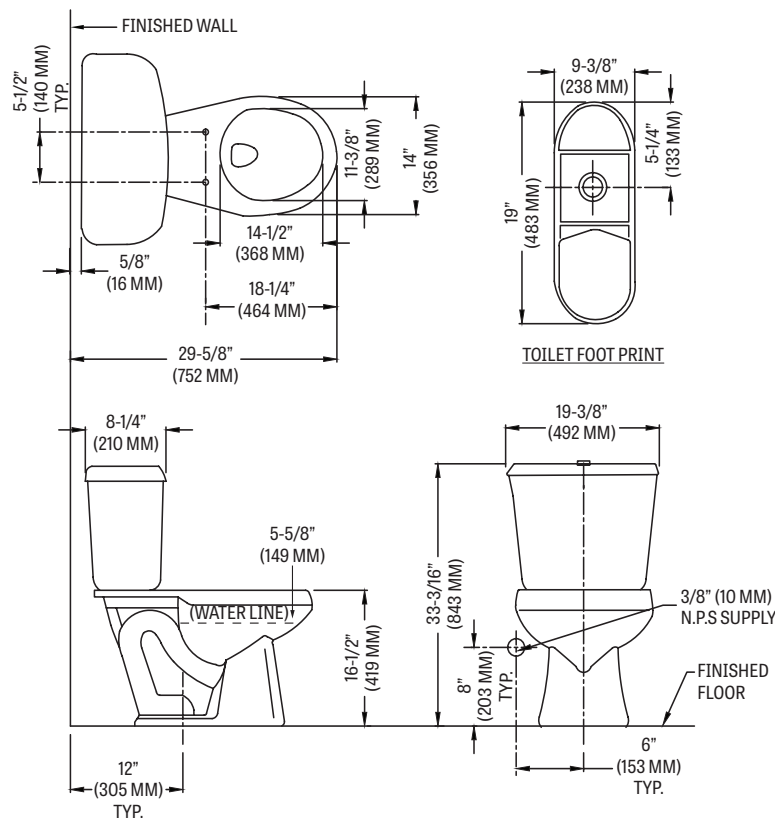
MODEL #	DESCRIPTION	CODES/STANDARDS
384-3386	Elongated front, SmartHeight™ (1.1 gpf/1.6 lpf) two-piece toilet	  

MATERIAL	Vitreous China
WATER PRESSURE RANGE	20 to 80 PSI
FLUSH SYSTEM	Dual flush with 3" flush tower
WATER USAGE	1.1 gpf / 1.6 lpf
WATER SURFACE AREA	9" X 10"
ROUGH-IN	12"
MaP RATING	800 grams

TRAP DIAMETER	2"
TRAP SEAL	2-3/8"
SHIPPING WEIGHT	Model 384 - 54 lbs. (24.4 kg) Model 3386 - 38 lbs. (17.2 kg)
WARRANTY	Vitreous China - Limited Lifetime Tank Trim - Limited One Year

## TECHNICAL INFORMATION

**Note:** these dimensions are nominal and subject to change without notice.



Fixture performance and specifications meet or exceed ASME A112.19.2/CSA B45.1 standards, and other state and local codes.